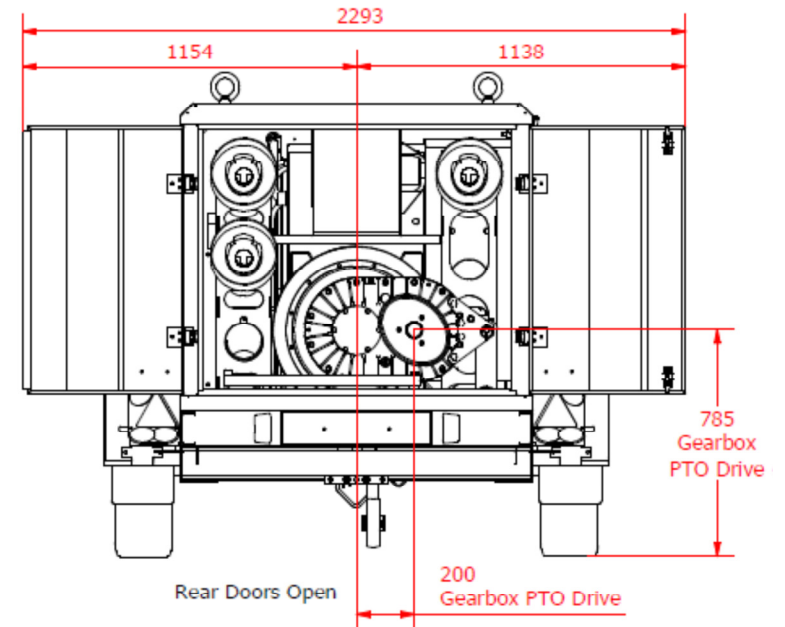
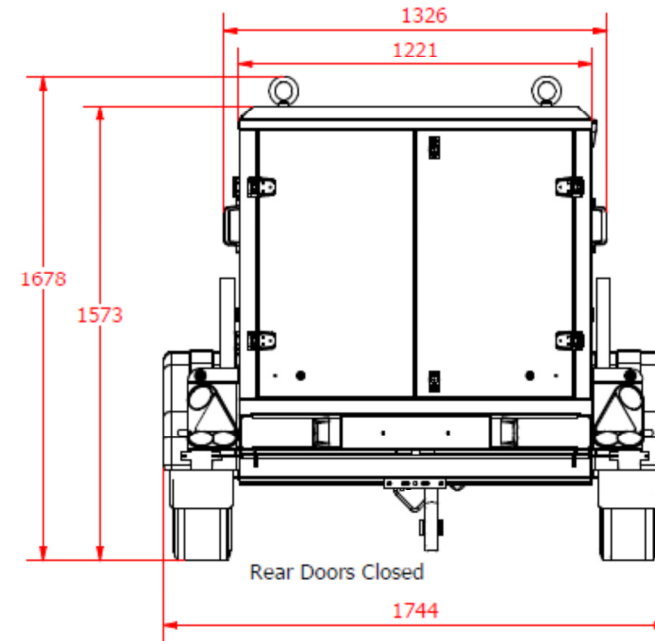
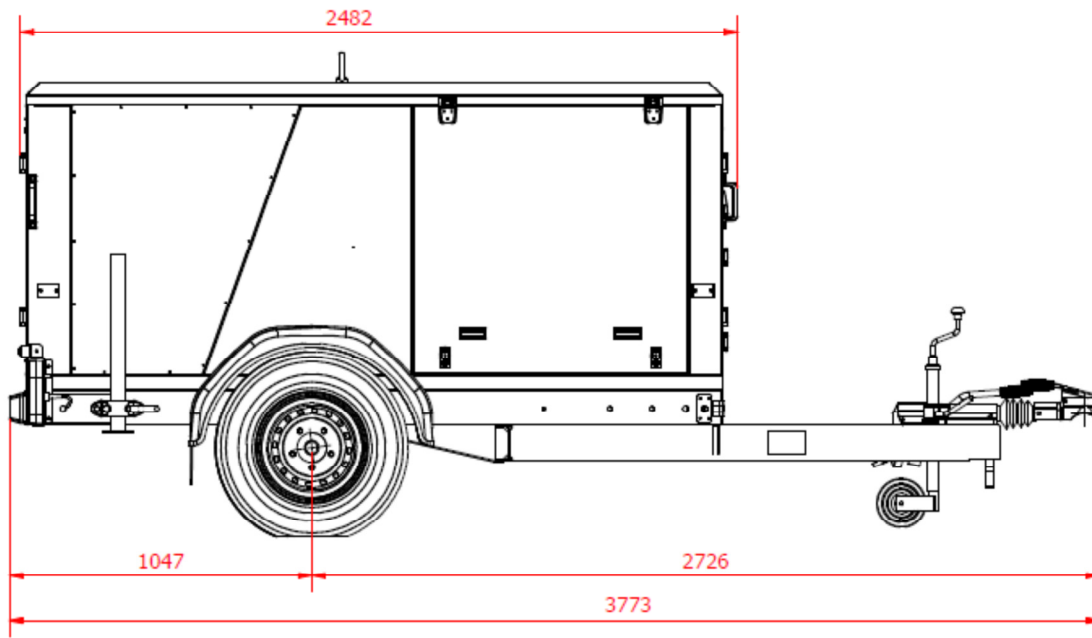


Sigma 60 Dynamometer – Mobile Version



Specifications:

Overall Weight	1800kg Maximum
Gearbox PTO Drive	Type 4 - Ø57.5mm 22 Spline
Coupling	50mm Ball Head